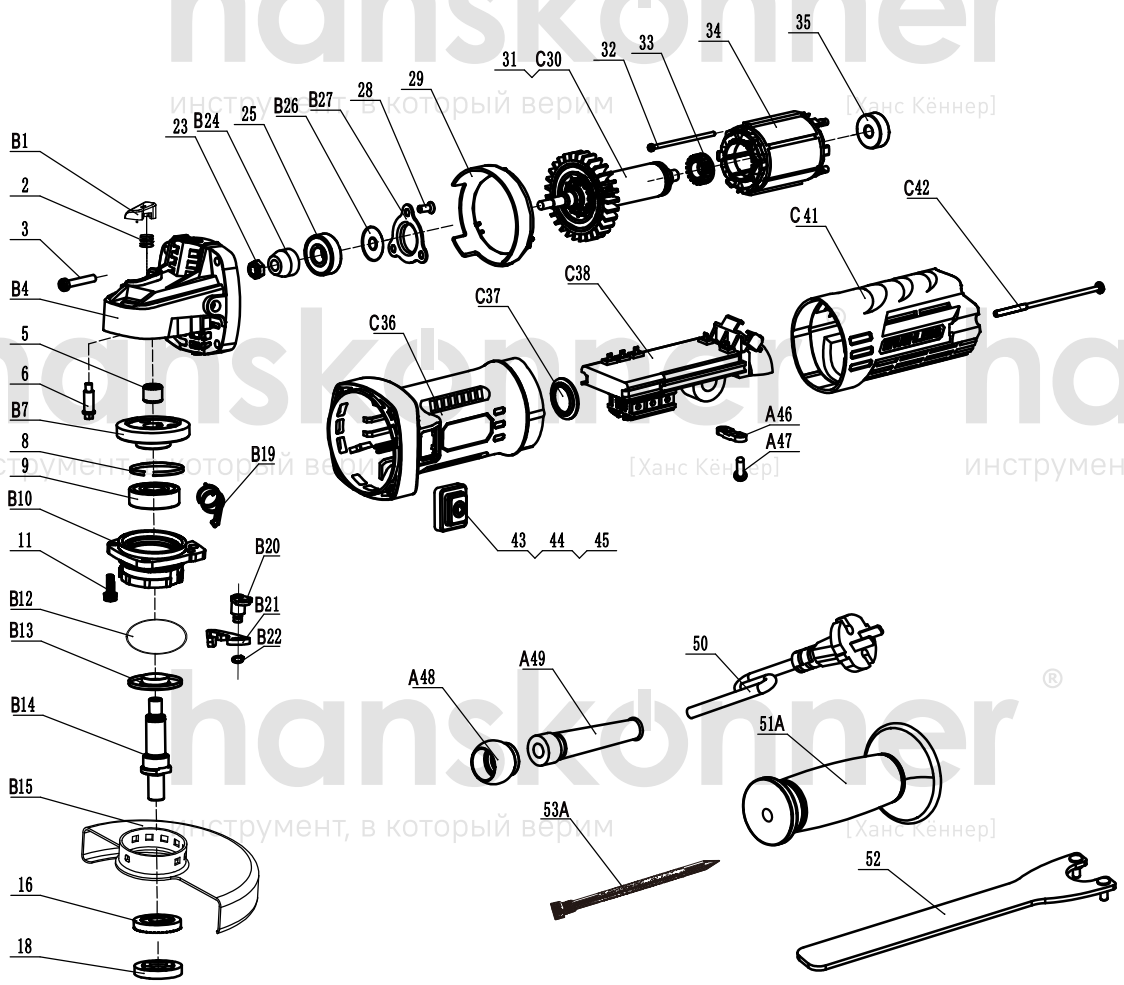


hanskonner®

hanskonner®

HAG9125SB



NO.	DESCRIPTION	NO.	DESCRIPTION
B1	SELFBUTTON CAP	28	SCREW M4X10
2	SELF-BUTTON SPRING	29	WINDSHIELD
3	SCREW ST4X25	C30	ROTOR
B4	GEARBOX	31	FAN
5	BEARING 696Z	32	SCREWST2.5X55
6	SELFBUTTON PIN	33	SMALL FAN
B7	BIG GEAR	34	STATOR
8	INNER CIRCIP	35	BEARING 608DW
9	BEARING 6201DW	C36	HOUSING
B10	FORE COVER	C37	DUSTPROOF WITH BEARING1
11	SCREW M4X14	C38	MAIN PCB
B12	O RING 42X2	C41	BACK COVER
B13	DUSTPROOF WITH BEARING	C42	SCREWST3.5X80
B14	OUT SHAFT	43	SWITCH PCB
B15	GUARD	44	SWITCH RUBBER
16	DOWN FLANGE	45	SWITCH SURPORT
18	UP FLANGE	A46	PRESSURE BOARD
B19	SPRING	A47	SCREWST4X10
B20	SURPORT ASSEMBLE	A48	BALL HEAD
B21	LEVER	A49	SHEATH
B22	CIRCIP 4	50	CABLE WIRE
23	NUT M6	51A	SIDE HANDLE
B24	PINION	52	SPANNER
25	BEARING 629DW	53A	SCRIBER
B26	WASHER		
B27	BEARING COVER		

hanskonner®

hanskonner®

HAG9125SB-EX-RU251217 VER 4.1

инструмент, в который верим

[Ханс Кённер]

инструмент, в который верим

[Ханс Кённер]